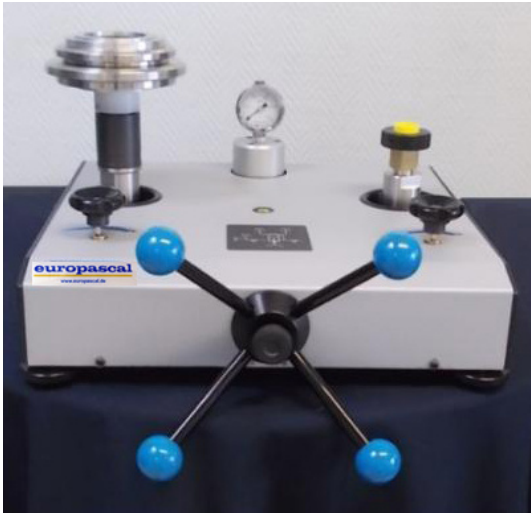


BA2-200B

Pneumatic Deadweight Tester



- Primary-Normal
Measuring Range: 2.5 to 200 bar
25 to 3000 psi
- Accuracy: 0.015 % rdg.
- Quick Connectors,
no tools necessary
- Medium: Air or Nitrogen

Scope of Application

This deadweight tester is designed for testing, adjusting and calibrating mechanical or electronic measuring devices (pressure gauges, transmitters, pressure sensors or switches) by comparison with a reference device.

It consists of a pressure generator, connected to a compressed source of gas, a piston-cylinder unit and a set of weights. The capstan allows to adjust the pressure by pushing the gas through the piston. The pressure is compensated by the piston-cylinder unit, which compares the pressure values of the instrument to be calibrated with the pressure generated by the standard.

Model BA2-200B requires an external gas supply.

The deadweight tester is robust, easy to operate and has a long-term stability.

Technical Specification

Medium

Dry air or nitrogen

Connection for gas supply: G 1/4" female on the reverse side of the basic unit.

Alignment:

4 adjustable feet, controlled by leveling bubble.

Connection for instrument to be tested

Quick connector G1/2"-female, other connectors on request (e.g. NPT or metric)

By DAkkS accredited laboratory according to DIN EN ISO / IEC 17025: 2018. The accreditation is valid only for the quantities listed in the accreditation scope. (Our Laboratory number is D-K-15055-01-00).

Housing

Aluminum with resistant paint

Piston/Cylinder-Unit

Single piston, made of stainless steel

Repeatability: $3 \cdot 10^{-5}$

Sensitivity: $1 \cdot 10^{-5}$

Weights

Non-corrosive stainless steel

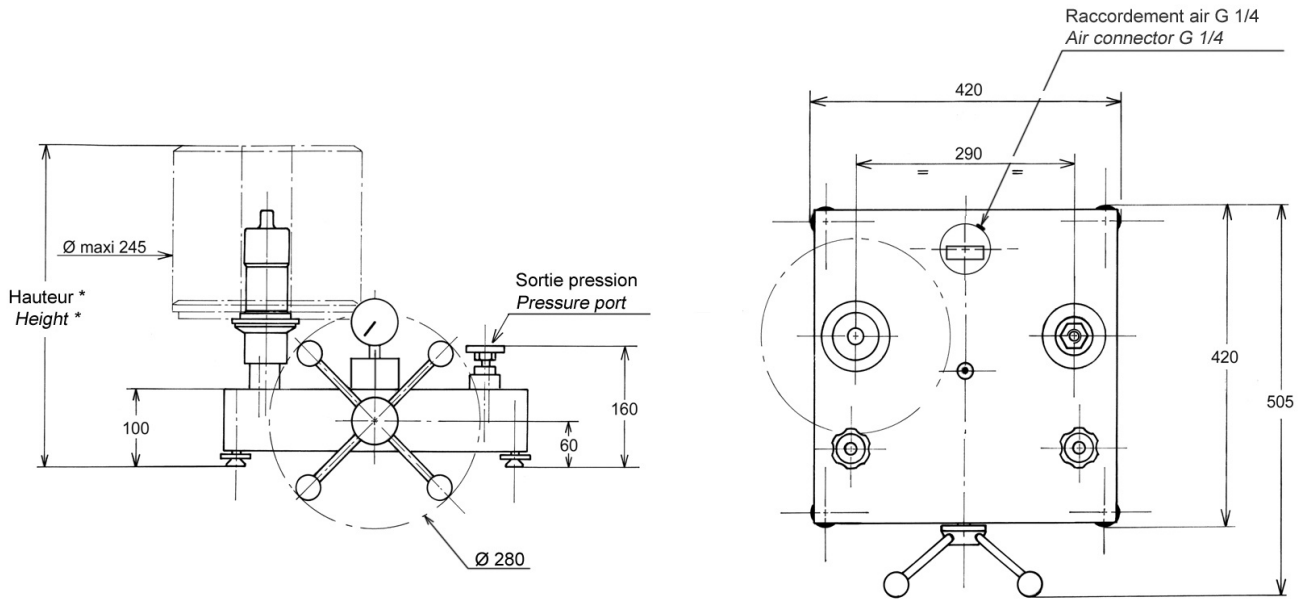
Weight of the set of weights from 4 to 48 kg (depending on model)

The masses are marked with the corresponding measuring units (bar, mbar, kPa or psi, etc.)

Model-specific Informationen

Model	BA2-200B – Single Piston Deadweight Tester
Measuring Range	2.5 to 200 bar / 25 to 3000 psi
Accuracy	0.015 % of reading
Weight of Deadweight Tester (without masses)	18 kg
Total Weight (incl. masses)	51 kg
Scope of Supply (standard)	User manual (German)
Accessories (optional)	DAkKS-Calibration Additional set of weights for further units Adjustment of the deadweight tester to local gravitational acceleration Accessory kit for deadweight testers Separator for gas/fluids Transport case for deadweight tester Adapter set Cleaning system for deadweight tester Transport trolley LED display and visualization of the reference height Motor drive module Adopter kit M, Adopter kit G, Adopter kit NPT, Adopter kit BSP-TR, Adopter kit with 17 adopters M + G + NPT + BSP-TR (contact us)

Dimensions



Hight with standard set of weights (bar, kPa): 395 mm

Dimensions in mm

Standard Weights

Standard Set of Weights			
	Pressure (bar)	Total Number	Typical Value (g)
Unit: bar	50	2	8000
	47.5	1	7600
	25	1	4000
	10	2	1600
	5	1	800
	2.5	1	400
	1	2	160
	0.5	1	80
Pressure bell + weight adaptation	2.5		400
Total	205	11	±33 kg

Intermediate Set of Weights			
	Pressure (bar)	Total Number	Typical Value (g)
Unit: bar	0.25	1	40
	0.1	2	16
	0.05	1	8
	0.02	2	3.2
	0.01	1	1.6
Total	0.43	7	88 g

Other Devices of BA2 Series

(Data sheets are available on request)

Models with single piston

Model	Accuracy	Measuring Range	
		bar or kg/cm ²	kPa
BA2-120B	$1 \times 10^{-4} = 0.015 \%$ rdg.	1 to 120	100 to 12000
BA2-60B	$1 \times 10^{-4} = 0.015 \%$ rdg.	0.5 to 60	50 to 6000
BA2-10B	$1 \times 10^{-4} = 0.015 \%$ rdg.	0.15 to 10	15 to 1000
BA2-1B	$1 \times 10^{-4} = 0.015 \%$ rdg.	15 mbar to 1 bar	1.5 to 100
BA2-1VB	$1 \times 10^{-4} = 0.015 \%$ rdg.	-15 mbar to -900 mbar	-1.5 to -90